

Pump + IEC-Motor (0.37~0.55kW)

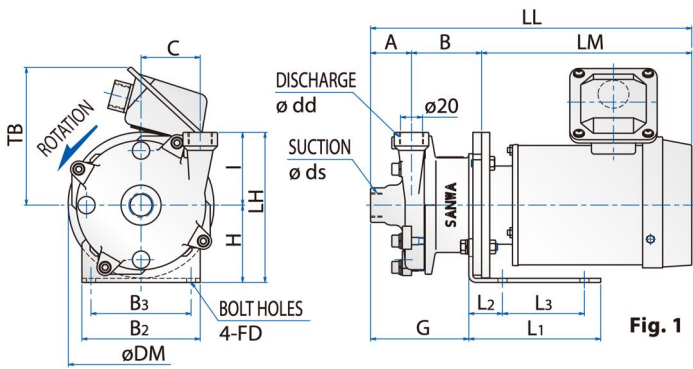


Fig. 1

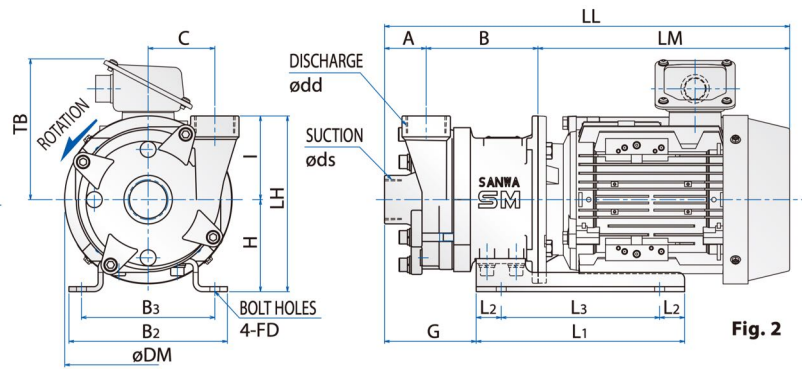


Fig. 2

Dimension in mm

Pump Size	Motor		H _D	A	B	C	H	I	LH	LM	LL	øDM	TB
	Frame Name	Output kW											
M1503	71M	0.37		30	72	50	85	65	150	209	311	160	142
M2005	71M	0.55		45	77	65	85	80	165	231	353	160	151
M2505	71M	0.55		35	87	55	85	60	145	231	353	160	151
M2007	80M	0.75		45	109	65	110	80	190	235.5	389.5	200	157
M2507	80M	0.75		55	114	65	110	80	190	235.5	404.5	200	157
M2515	90L	1.5		55	124	65	110	80	190	273	452	200	168
M2515L	90L	1.5		60	119	80	110	90	200	273	452	200	168
M2522	90L	2.2		60	119	80	110	90	200	302	481	200	168
M4007	80M	0.75		50	124	80	110	100	210	235.5	409.5	200	157
M4015	90L	1.5		50	134	80	110	100	210	273	457	200	168
M4022	90L	2.2		50	134	80	110	100	210	302	486	200	168

Document Ver 12-1 2020